

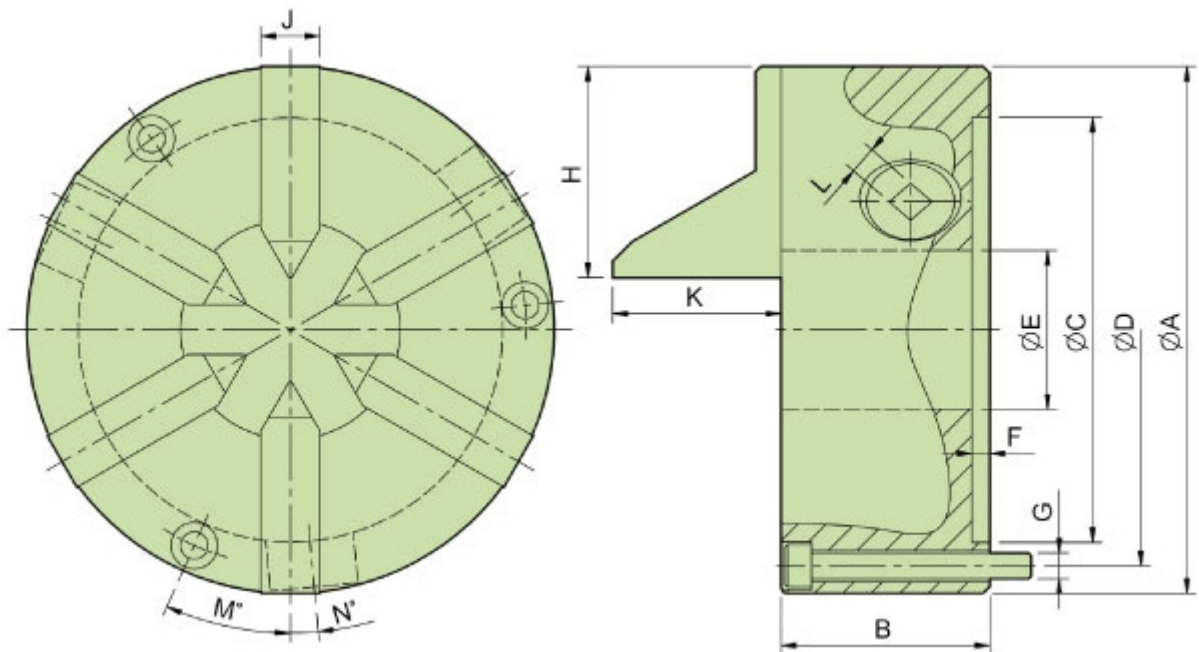
SE series



SPECIFICATIONS:

6-JAW SCROLL CHUCK PLAIN BANK

1. SE types are specially suit for drilling*endmilling*tapping or grinding in tool grinders.
2. Huge bore diameter design for wider application of bar workpieces.
3. SE type feature gripping for thin tube and high roundness accuracy.
4. The body is made of MEEHANITE.It is suitably used for high speed revolution and 3 times more durable than regular chucks.



SPECIFICATIONS:

Dim Model	A	B	C	D	E	F	G	H	J	K	L	M	N	Weight (kg)	Max. Speed (r.p.m.)	Gripping O.D. Range
SE-4	112	66	80	95	32	4.8	3-M8	45	14	39.7	8	30	6.5	4	2500	Ø2-Ø32
SE-6	165	67	130	147	51	5.5	3-M8	66.5	19	40.7	10	23.3	6.2	9	2000	Ø3-Ø51
SE-7	192	76.5	155	172	80	5.5	3-M10	77	21.5	61.5	11	24	5.3	14	2000	Ø3-Ø81